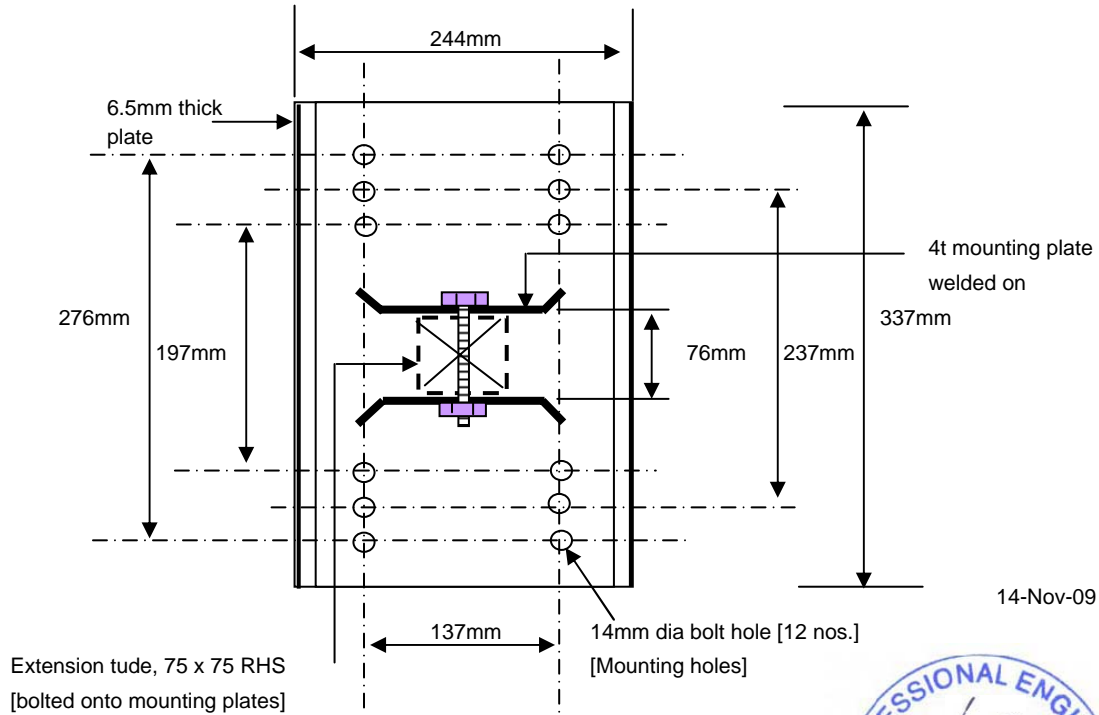
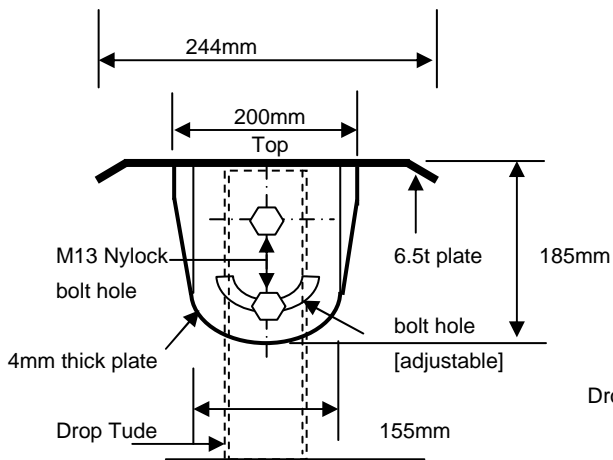


PowerFoil Big Ass Fan

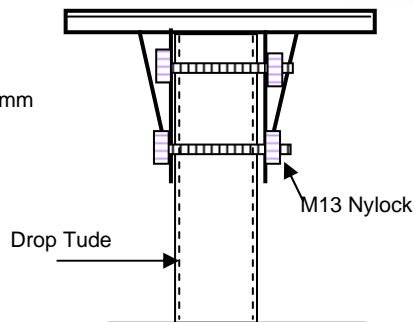
1.0 Details of Upper Yoke



Plan



Front Elevation

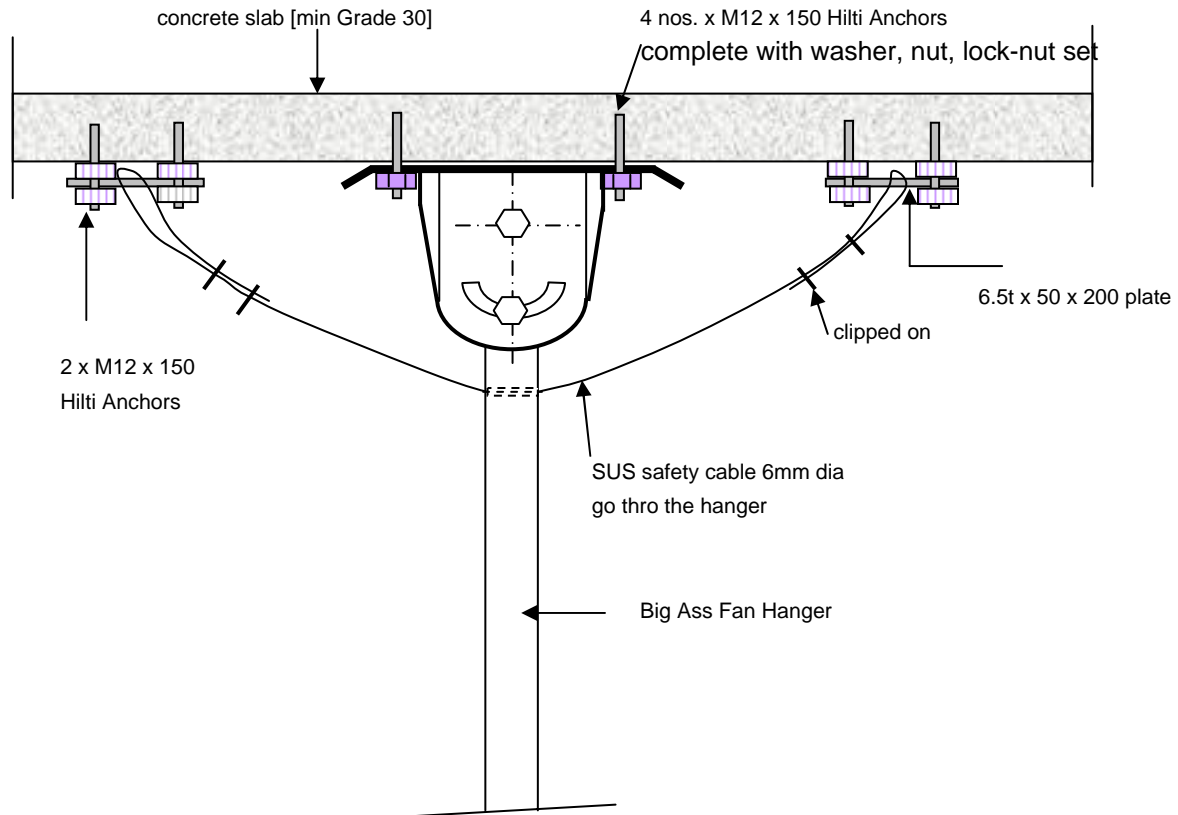


Side Elevation

Upper Yoke

2.0 Mounting Methods

2.1 Mounting Method 1: Concrete Beam / Slab



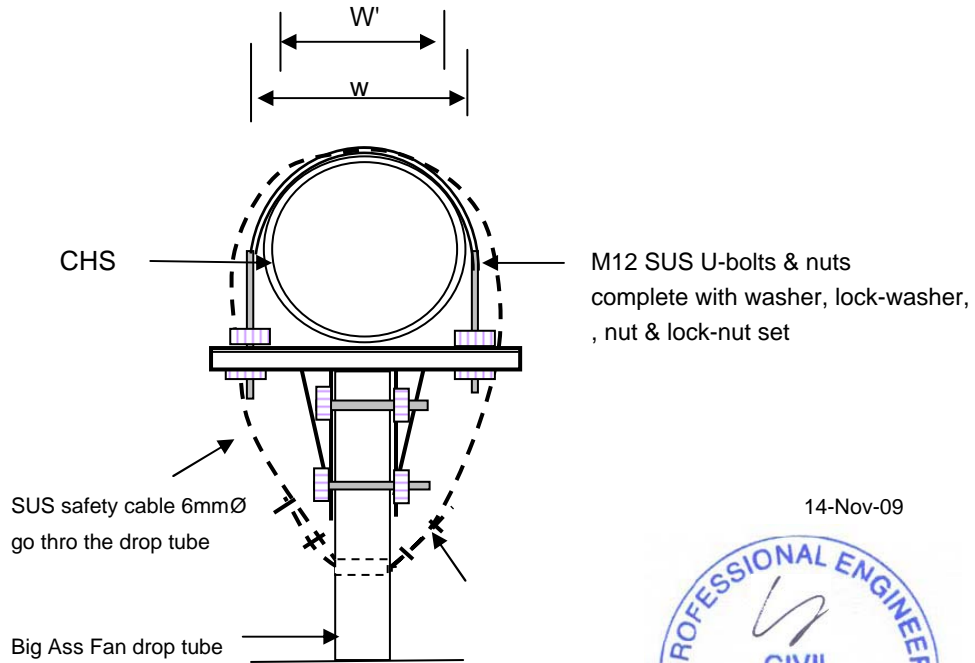
Mounting Details to Concrete Beam / Slab



14-Nov-09

2.2 Mounting Method 2 : Circular Hollow Section

Width of CHS, W'	Width of U-Bolt, w
180mm	197mm
220mm	237mm
250mm	276mm



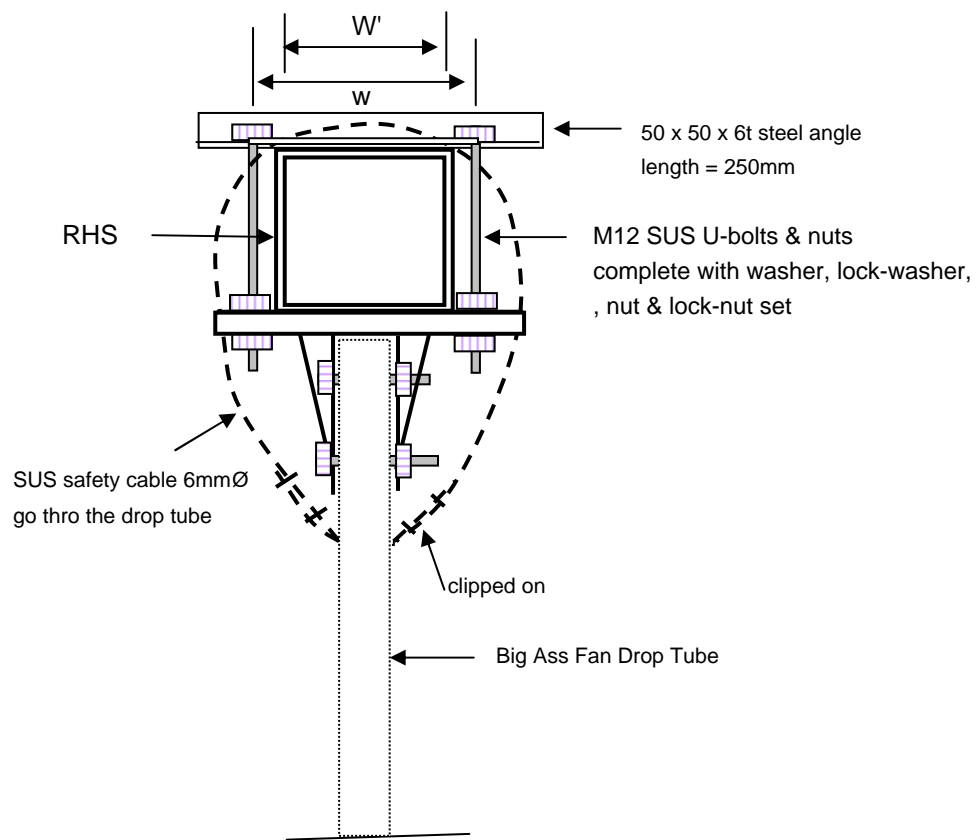
14-Nov-09



Mounting Details to CHS

2.3 Mounting Method 3 : Steel Hollow Section or U-Beam

Width of RHS or U-Beam, W'	Width of Square Bolt, w
less than 175mm	197mm



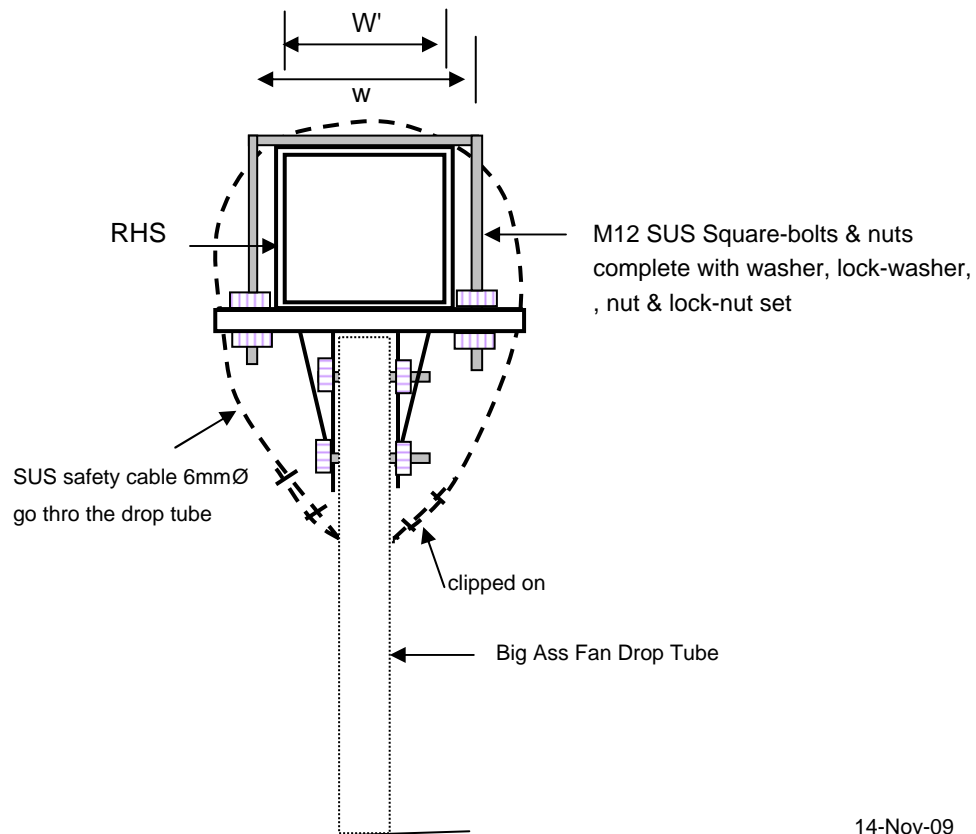
Mounting Details to RHS / UB



14-Nov-09

2.4 Mounting Method 4 : Steel Hollow Section or U-Beam

Width of RHS or U-Beam, W'	Width of Square Bolt, w
175mm	197mm
205mm	237mm
250mm	276mm

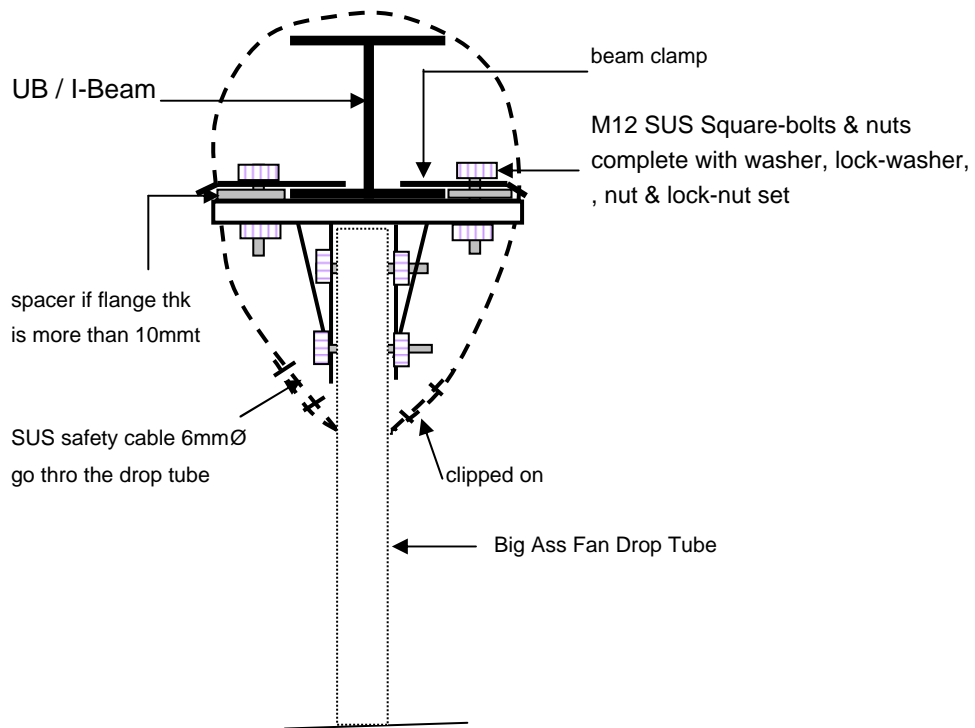


14-Nov-09

Mounting Details to RHS



2.5 Mounting Method 6 : Universal Beam Or I-Beam



Mounting Details to Universal Beam or I-Beam



14-Nov-09